

过电压保护IC

Over Voltage Protection IC

■ FEATURES

- Input Voltage Range: 3V to 36V
 - Output Power on Time: 10ms (Typ.)
 - OVP Threshold
 - Fixed 5.85V (Typ.) or Externally adjustable OVP voltage
 - 60ns Fast Transient response
 - RDS(ON) Internal Switches: 125mΩ
 - Under-Voltage, and Thermal Shutdown Protection
 - Packages: Pb-free Packages, SOT23-6
- 输入电压范围: 3V~36V
 - 开启延时时间: 10ms (Typ.)
 - OVP电压: 固定5.85V(Typ.), 或外部可调
 - 60ns快速OVP响应时间
 - 内置MOS RDS(ON) 125mΩ
 - 欠压保护和过温关断保护
 - SOT23-6封装

■ APPLICATIONS

- GPS
 - TWS, Speakers
 - Smart Phone
 - Digital cameras
 - Tablet, MID, PAD
 - Peripherals
 - Power bank
- GPS
 - TWS, 音箱
 - 智能手机
 - 数字摄像机
 - 平板, MID, PAD
 - 外围设备
 - 充电宝

■ DESCRIPTION

The HT4066 over-voltage protection device features an ultra-low 125mΩ (TYP) on-resistance high current integrated MOSFET which actively protect low-voltage systems from voltage supply faults up to +36VDC.

The device will switch off internal MOSFET to disconnect VIN to VOUT to protect load when input voltage over the threshold.

When the OVLO input is connected to GND, the HT4066 automatically choose the internal fixed OVLO threshold, preset to be 5.85V typical. The over-voltage protection threshold can be adjusted with an optional external resistor-divider to a voltage between 4V and 10V.

In case the device temperature exceeds the maximum junction temperature, the device switches off.

The HT4066 are available in Green SOT23-6 package, and operate over an ambient temperature range of -40°C to +85°C.

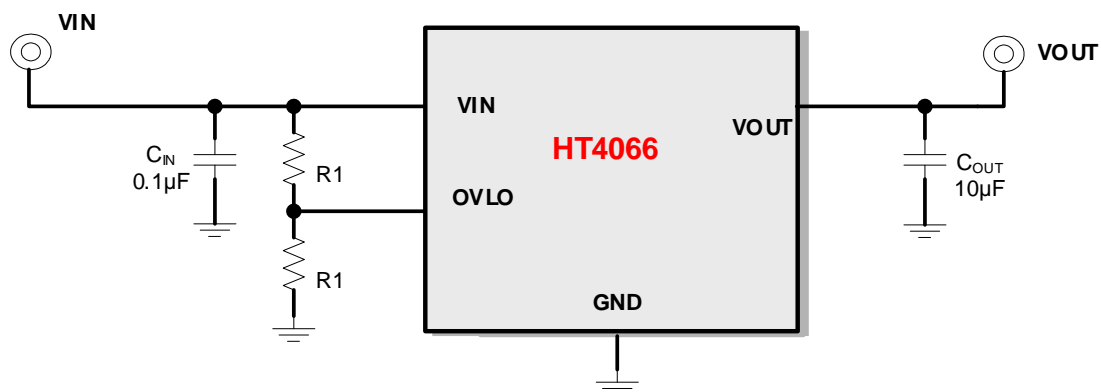
HT4066是一颗过压保护IC，其内置125mΩ (TYP)大电流MOS，其可对低电压工作的系统进行电压保护，最高+36VDC。

当VIN电压超过OVP值时，HT4066将关闭MOS以关断VIN到VOUT的路径，从而保护负载。

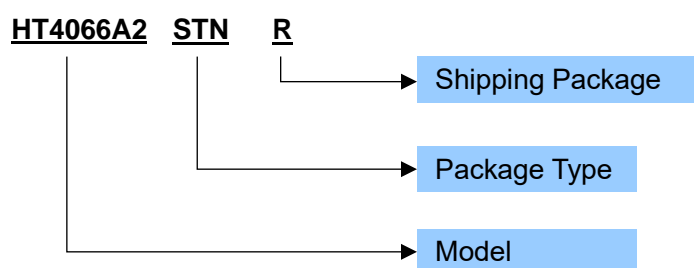
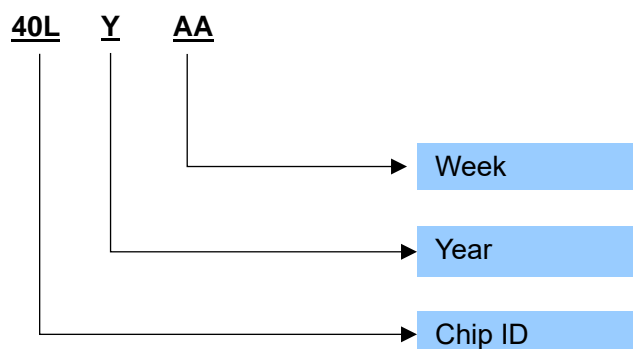
当OVLO接地时，HT4066自动设置为固定的5.85V过压保护值。OVLO外接分压电阻时，可设置4~10V的过压保护值。

当HT4066超过最大结温时，器件关闭。

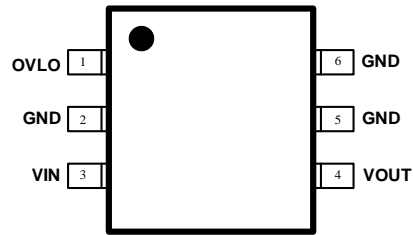
该产品提供SOT23-6封装，支持-40°C到+85°C的环境温度。

TYPICAL APPLICATION

ORDERING INFORMATION

Part Number	Package Type	Marking	Operating Temperature Range	Shipping Package / MOQ
HT4066A2STNR	SOT23-6 (STN)	40LYAA	-40℃~85℃	Tape and Reel (R) / 3000pcs

Part Number

Marking


:

■ TERMINAL CONFIGURATION

Top View
■ TERMINAL FUNCTION

Terminal No.	Name	Description
1	OVLO	External OVLO Adjustment. Connect OVLO to GND when using the internal threshold. Connect a resistor divider to OVLO to set a different OVLO threshold.
2, 5, 6	GND	Ground.
3	VIN	Input Voltage. Bypass VIN with 0.1uF capacitor as close as possible to the device.
4	VOUT	Output voltage. Bypass VOUT with 10uF capacitor as close as possible to the device.

IMPORTANT NOTICE**注意**

Jiaxing Heroic Electronic Technology Co., Ltd (HT) reserves the right to make corrections, modifications, enhancements, improvements, and other changes to its products and services at any time and to discontinue any products or services. Customers should obtain the latest relevant information before placing orders and should verify that such information is current and complete.

嘉兴禾润电子科技有限公司（以下简称HT）保留对产品、服务、文档的任何修改、更正、提高、改善和其他改变，或停止提供任何产品和服务的权利。客户在下单和生产前应确保所得到的信息是最新、最完整的。

HT assumes no liability for applications assistance or customer product design. Customers are responsible for their products and applications using HT components.

HT对相关应用的说明和协助以及客户产品的板级设计不承担任何责任。

HT products are not authorized for use in safety-critical applications (such as life support devices or systems) where a failure of the HT product would reasonably be expected to affect the safety or effectiveness of that devices or systems.

HT的产品并未授权用于诸如生命维持设备等安全性极高的应用中。

The information included herein is believed to be accurate and reliable. However, HT assumes no responsibility for its use; nor for any infringement of patents or other rights of third parties which may result from its use.

本文中的相关信息是精确和可靠的，但HT并不对其负责，也不对任何可能的专利和第三方权利的侵害负责。

Following are URLs and contacts where you can obtain information or supports on any HT products and application solutions:

下面是可以联系到我公司的相关链接和联系方式：

嘉兴禾润电子科技有限公司**Jiaxing Heroic Electronic Technology Co., Ltd.**

地址：浙江省嘉兴市凌公塘路3339号JRC大厦A座三层

Add: A 3rd floor, JRC Building, No. 3339, LingGongTang Road, Jiaxing, Zhejiang Province

Sales: 0573-82585539, sales@heroic.com.cn

Support: 0573-82586151, support@heroic.com.cn

Fax: 0573-82585078

Website: www.heroic.com.cn; wap.heroic.com.cn

Wechat MP: HEROIC_JX

请及时关注禾润官方微信公众号，随时获取最新产品信息和技术资料！

